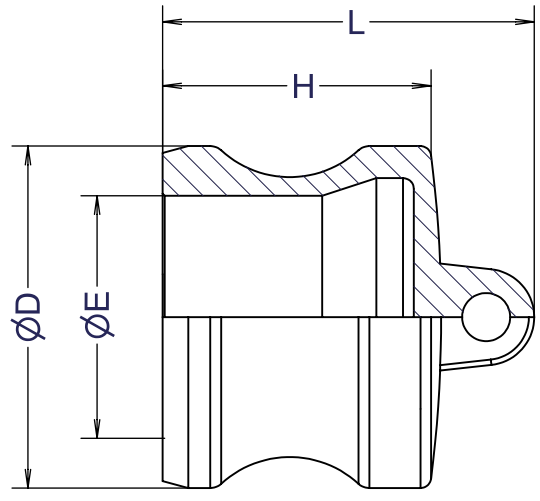
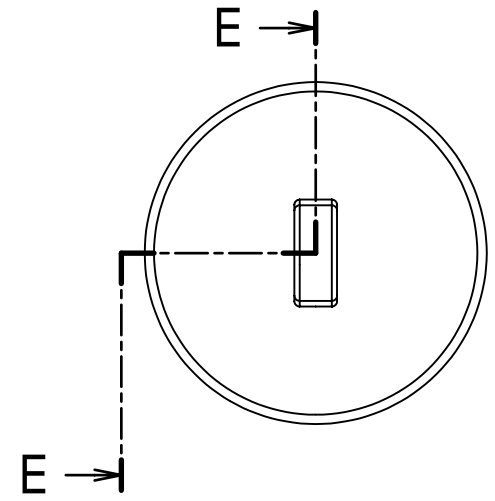


Part No.	50-DP	75-DP		
Size	mm	15	20x15	20
	inches	1/2	3/4x1/2	3/4
∅D	23.8	32		
∅E	13	22.7		
H	26	25		
L	36	35.5		
Weight(kg)	0.06	0.08		

Units:mm



Section E-E



1	ボディ	BRASS	1	
ITEM	PART NAME	MATERIAL	Q'TY	REMARKS
CUSTOMER		TITLE		
		SFI-DP Dust Plug		
DATE		SCALE	DRAW	APPR
Nov.26'10		none	ToMo	
Temp.				
Drawing History		DWG No.		
		SFI-DP-03BS-MIN		3