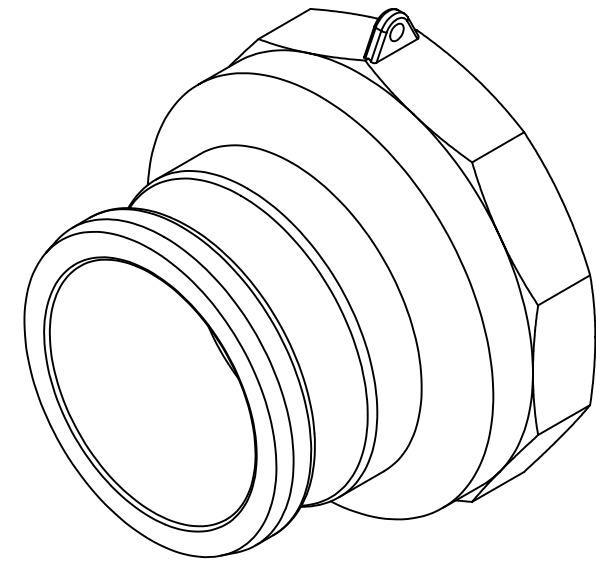



Section E-E

SIZE	PART No.	ØD	ØE	K	L
2" x 1 1/2"	AR20/15-AL	63	46	54.5	72
2" x 3"	AR20/30-AL	63	46	95	90
3" x 2"	AR30/20-AL	91.5	73	65	79
3" x 4"	AR30/40-AL	91.5	73	122	96
4" x 3"	AR40/30-AL	119.5	98	95	91

Units:mm



Nominal Dia		CUSTOMER				TITLE	MAX-LOK MAX-AR アダプター- X 雌ネジ		
Fluid.		DATE				SCALE	DRAW	APPR	 FULLNESS JAPAN CORPORATION.
Press.		Jan.19'11	none	ToMo					
Temp.		DWG No.		MAX-AR-01AL-11		3			
Drawing History									

