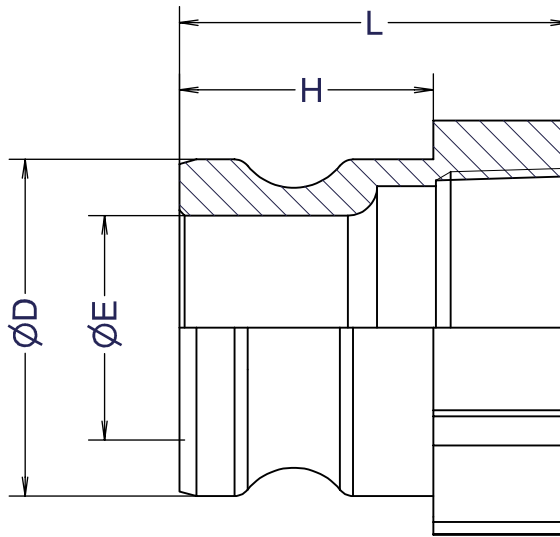
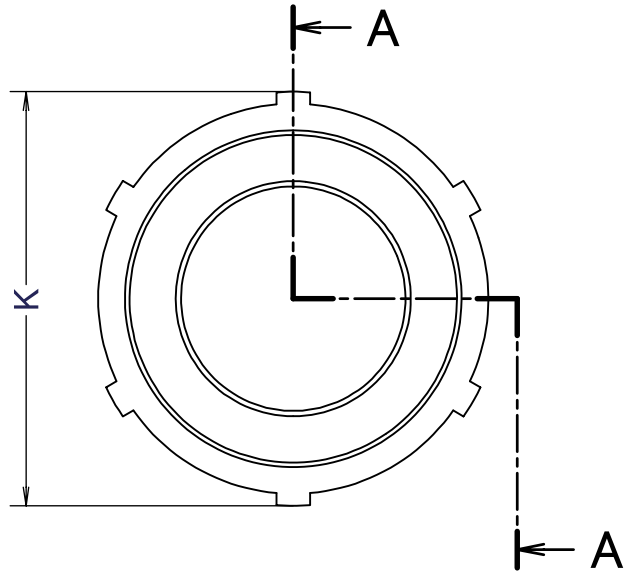
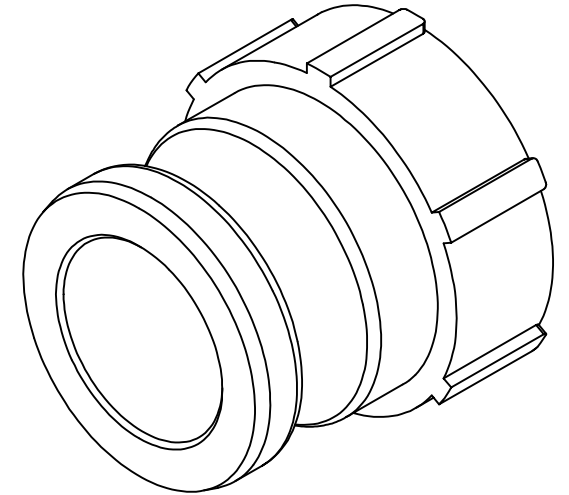



Part No.	75x50-A	75-A	100-A	125-A	150-A	200-A	300-A	400-A	
Size	mm	20x15	20	25	32	40	50	80	100
	inches	3/4x1/2	3/4	1	1 1/4	1 1/2	2	3	4
ØD	32			45.5	53.4	63	91.5	119.5	
ØE	21.5			28	35	42	71	90	
K	34			52	63	77.5	109	137	
H	26			40	42	47.5	52.5	53	
L	42			65	67	73	90	92	

Units:mm



Section A-A



1	BODY	ポリプロピレン	1	
ITEM	PART NAME	MATERIAL	Q'TY	REMARKS
Nominal Dia		CUSTOMER		
Fluid.		TITLE		
Press.		DATE	SCALE	DRAW
Temp.		Oct.20'08	none	ToMo
Drawing History		DWG No. MAX-A-05PP-01		3
		 FULLNESS JAPAN CORPORATION.		

MAX-A 雌ネジアダプター