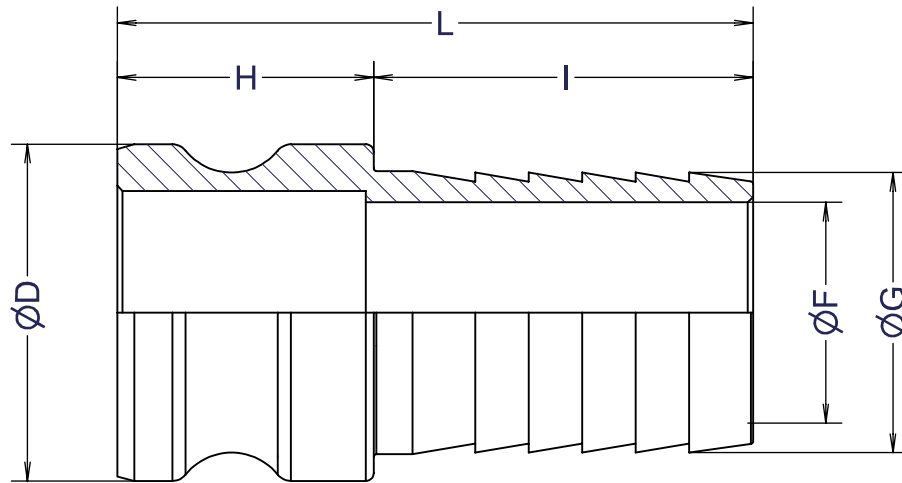


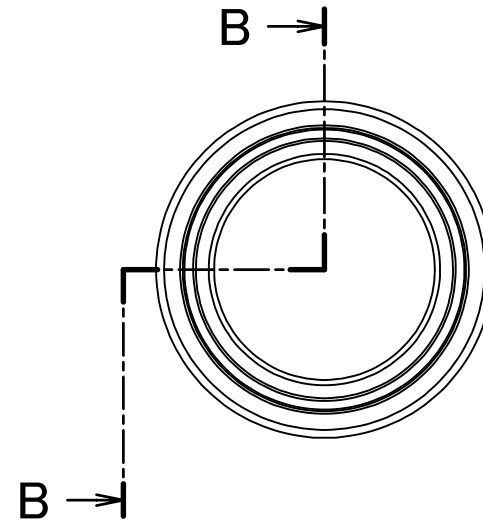
Part No.	75x50-E	75-E	100-E	125-E	150-E	200-E	300-E	400-E	
Size	mm	20x15	20	25	32	40	50	80	100
	inches	3/4x1/2	3/4	1	1 1/4	1 1/2	2	3	4
ØD		32			45.5			91.5	119.5
ØF		8			24			65	89
ØG		14			33			77	103
H		23			42			45	46
I		40			60.5			108	108
L		63			102.5			153	154


300-E,400-Eはリブ式です。

Units:mm



Section B-B



1	BODY	ポリプロピレン	1	
ITEM	PART NAME	MATERIAL	Q'TY	REMARKS
CUSTOMER		TITLE		
		MAX-LOK		
		MAX-E ホースアダプター		
DATE	SCALE	DRAW	APPR	
Oct.20'08	none	ToMo		
Drawing History		DWG No.		
		MAX-E-05PP-01		3
		 FULLNESS JAPAN CORPORATION.		