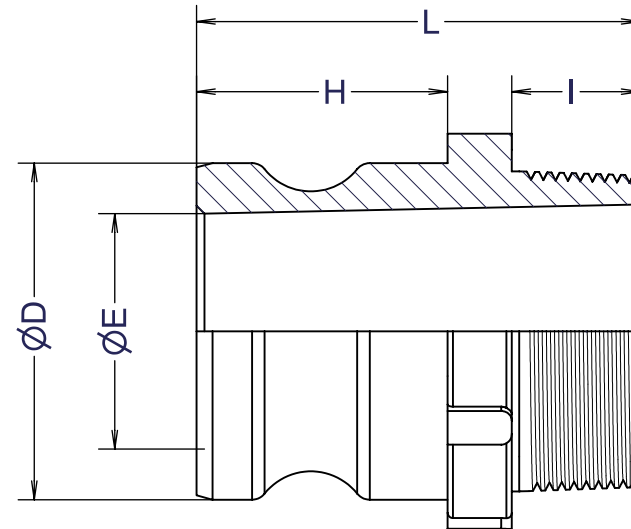
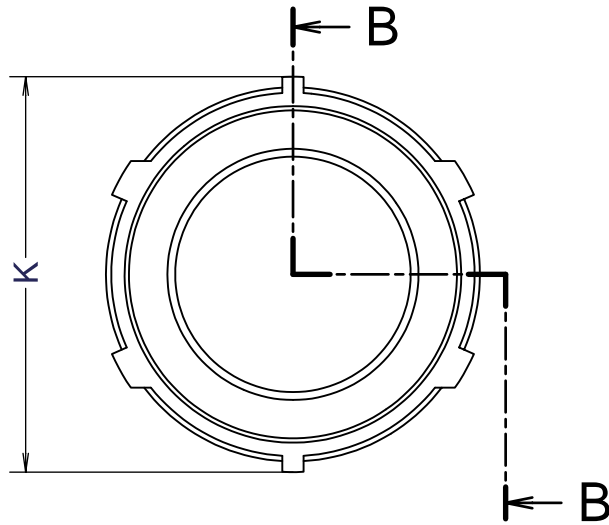



Part No.	75x50-F	75-F	100-F	125-F	150-F	200-F	300-F	400-F	
Size	mm	20x15	20	25	32	40	50	80	100
	inches	3/4x1/2	3/4	1	1 1/4	1 1/2	2	3	4
ØD		32	32	36.7	45.5	53.4	63	91.5	119.5
ØE		21.5	21	23	28	32	44	70	91
K		34	34	37	47	63	74	90	118
H		26	26	34	40	42	47	51	53.5
I		20	17	23	24	22	24	32	33
L		62	59	71	78	77	83	102	119

Units:mm



Section B-B

1	BODY	ポリプロピレン	1	
ITEM	PART NAME	MATERIAL	Q'TY	REMARKS
CUSTOMER		TITLE		
		<b>MAX-LOK</b>		
		MAX-F 雄ネジアダプター		
DATE		SCALE	DRAW	APPR
Oct.20'08		none	ToMo	
Drawing History		DWG No.		
		MAX-F-05PP-84		3
		 <b>FULLNESS JAPAN CORPORATION.</b>		

Nominal Dia	
Fluid.	
Press.	
Temp.	