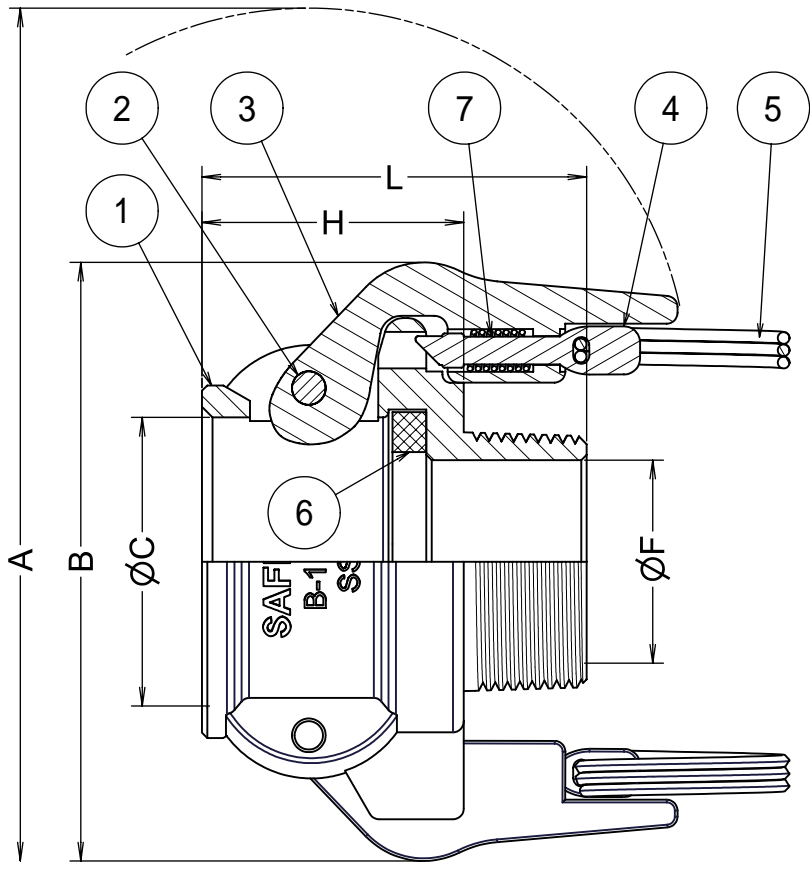
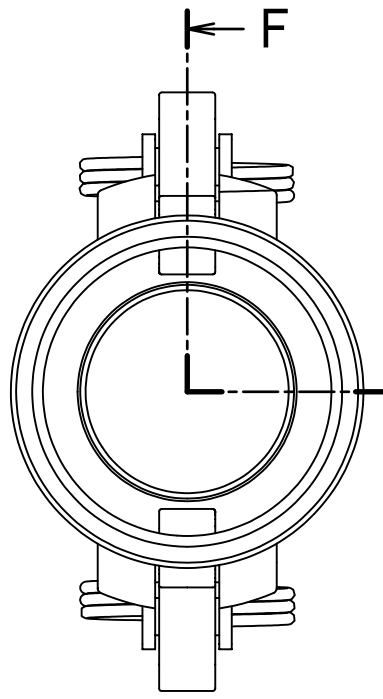
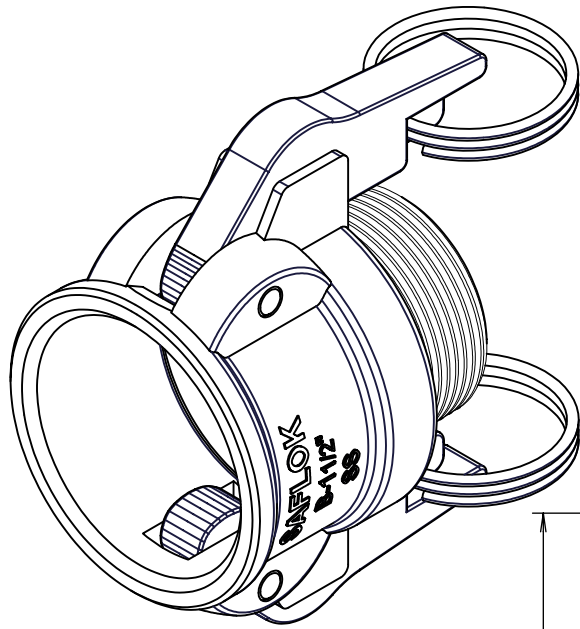


| Item No. | B-1/2 | B-3/4 | B-1 | B-11/4 | B-11/2 | B-2 | B-21/2 | B-3 | B-4 | |
|------------|--------|---------|------|--------|--------|-------|--------|-------|-------|-----|
| Size | mm | 20x15 | 20 | 25 | 32 | 40 | 50 | 65 | 80 | 100 |
| | inches | 3/4x1/2 | 3/4 | 1 | 1 1/4 | 1 1/2 | 2 | 2 1/2 | 3 | 4 |
| A | 167 | 167 | 178 | 197 | 205 | 214 | 226 | 252 | 280 | |
| B | 83 | 83 | 91 | 105 | 113 | 122 | 134 | 154 | 182 | |
| ØC | 32.7 | 32.7 | 37.5 | 46 | 54 | 64 | 77 | 92.7 | 121.5 | |
| ØF | 14 | 19 | 25 | 32 | 38 | 50 | 60 | 76 | 96 | |
| H | 36 | 36 | 43 | 49 | 49 | 52 | 57 | 57 | 59 | |
| L | 54 | 56 | 64 | 73 | 72 | 78 | 90 | 90 | 97 | |
| Weight(kg) | 0.39 | 0.40 | 0.49 | 0.75 | 0.77 | 0.86 | 1.28 | 1.58 | 2.72 | |

Units:mm



Section F-F

| ITEM | PART NAME | MATERIAL | Q'TY | REMARKS |
|------|-----------|----------|------|---------|
| 7 | スプリング | SUS316 | 2 | |
| 6 | ガスケット | NBR | 1 | |
| 5 | プル・リング | SUS316 | 2 | |
| 4 | セーフティロッド | SUS316 | 2 | |
| 3 | カムアーム | SCS14A | 2 | |
| 2 | ピン | SUS316 | 2 | |
| 1 | ボディ | SCS14A | 1 | |

| | | | |
|---------------|-------|-----------------------------|------|
| CUSTOMER | | TITLE | |
| | | SAFLOK | |
| | | SAF-B 雄ネジカプラー | |
| DATE | SCALE | DRAW | APPR |
| May.8'08 | none | ToMo | |
| DWG No. | | 3 | |
| SAF-B-04SS-01 | | FULLNESS JAPAN CORPORATION. | |

