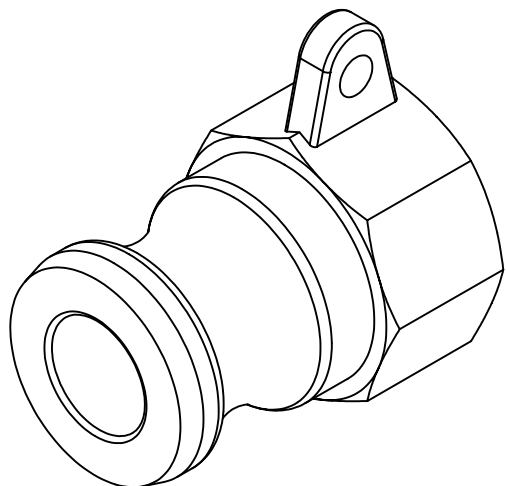



Section D-D



Nominal Dia		CUSTOMER				TITLE	<b>MAX-LOK</b> MAX-A-1/2"アダプター		
Fluid.		DATE				SCALE	DRAW	APPR	
Press.		Jul.21'10	2/1	ToMo					
Temp.		DWG No.				MAX-A-15AL-01		3	 FULLNESS JAPAN CORPORATION.
Drawing History									
ITEM		PART NAME				MATERIAL	Q'TY	REMARKS	
1		ボディ				AC4C-T6	1		