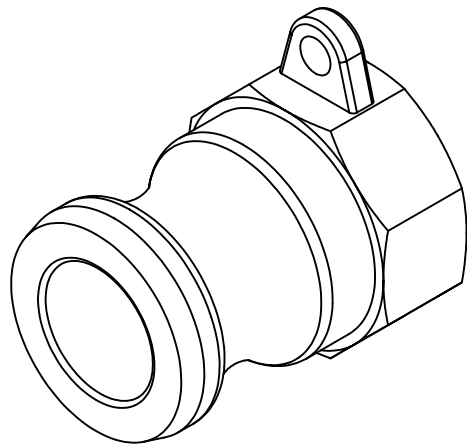



Section D-D



| | | | | | | | | | |
|-----------------|--|---------------|-------|------|------|--|----------------|--|--|
| Nominal Dia | | CUSTOMER | | | | TITLE | MAX-LOK | | |
| Fluid. | | | | | | MAX-A-1/2"アダプター | | | |
| Press. | | DATE | SCALE | DRAW | APPR |  FULLNESS JAPAN CORPORATION. | | | |
| Temp. | | Jul.21'10 | 2/1 | ToMo | | | | | |
| Drawing History | | MAX-A-15BS-01 | | | 3 | | | | |