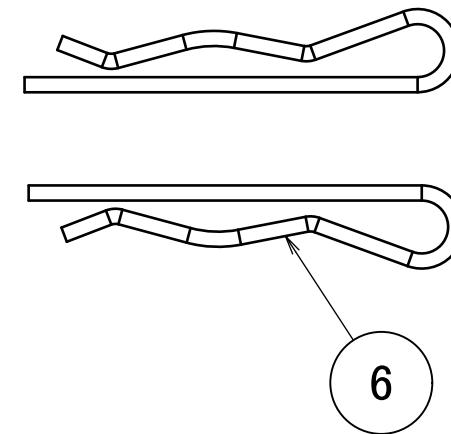
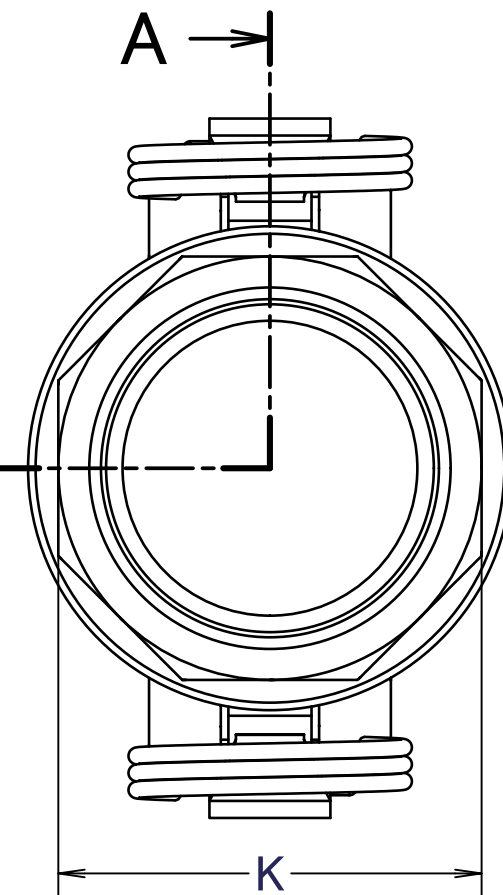
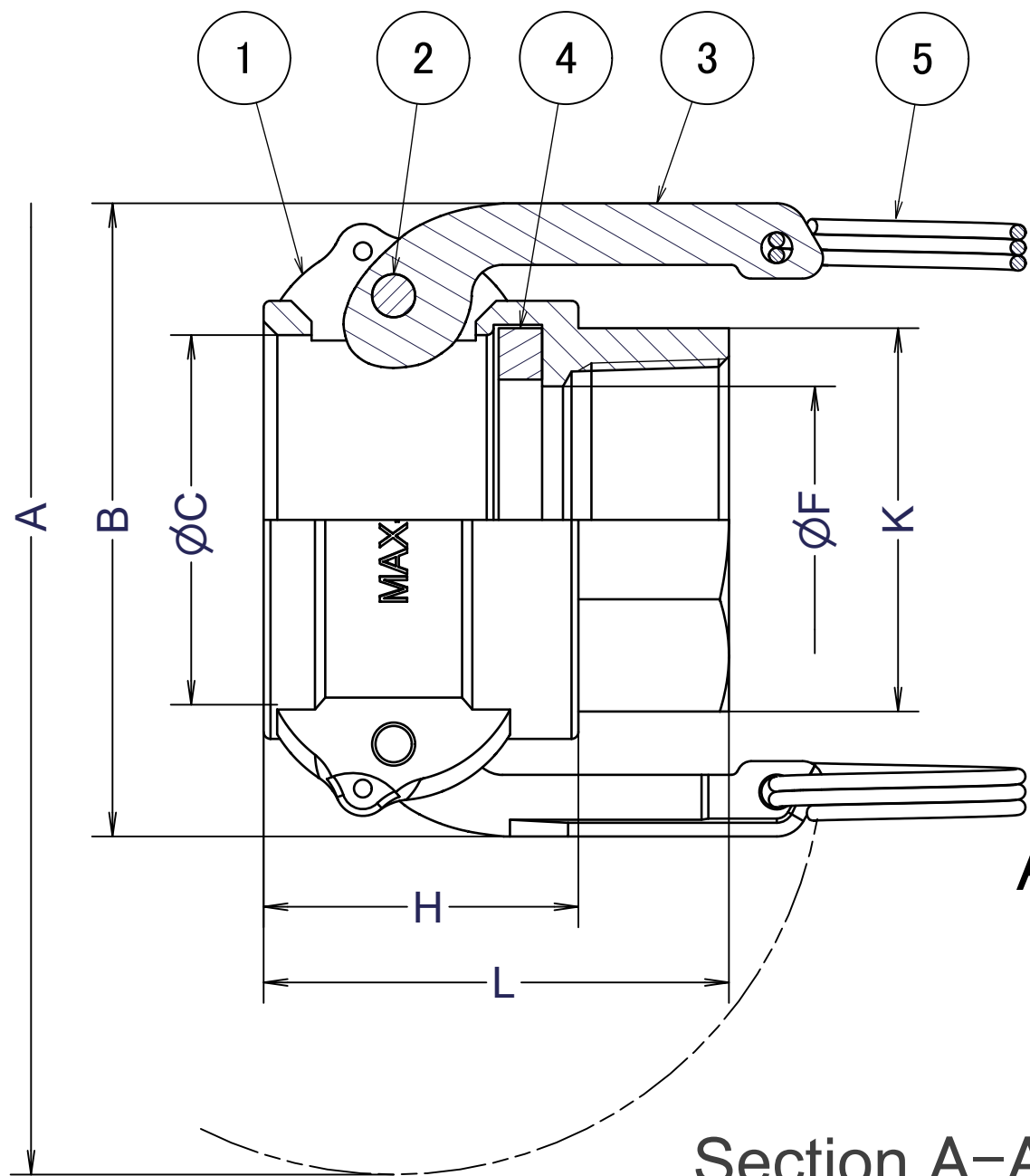


| Item No. | 75x50-D | 75-D | 100-D | 125-D | 150-D | 200-D | 250-D | 300-D | 400-D | |
|------------|---------|---------|-------|-------|-------|-------|-------|-------|-------|-------|
| Size | mm | 20x15 | 20 | 25 | 32 | 40 | 50 | 65 | 80 | 100 |
| | inches | 3/4x1/2 | 3/4 | 1 | 1 1/4 | 1 1/2 | 2 | 2 1/2 | 3 | 4 |
| A | | 116 | 116 | 136 | 183 | 191 | 201 | 213 | 266 | 294 |
| B | | 54 | 54 | 61 | 85 | 92 | 102 | 114 | 138 | 166 |
| ØC | | 32.4 | 32.4 | 37.2 | 46 | 54 | 63.8 | 76.5 | 92.2 | 120.2 |
| ØF | | 16 | 19 | 26 | 34 | 39 | 49 | 59 | 74.5 | 94 |
| K | | 27 | 32 | 40 | 48 | 56 | 67 | 83 | 97 | 125 |
| H | | 32 | 32 | 39 | 46 | 46 | 53 | 56 | 57 | 61 |
| L | | 49 | 52 | 60 | 66 | 68 | 78 | 86 | 89 | 98 |
| Weight(kg) | | 0.21 | 0.22 | 0.33 | 0.59 | 0.66 | 0.91 | 1.30 | 1.65 | 2.59 |

Units:mm



| 6 | セーフティピン | SUS304 | 2 | |
|------|-----------|----------|------|---------|
| 5 | リング | SUS304 | 2 | |
| 4 | ガスケット | NBR | 1 | |
| 3 | カムアーム | SCS16A | 2 | |
| 2 | ピン | SUS304 | 2 | |
| 1 | ボディ | SCS14A | 1 | |
| ITEM | PART NAME | MATERIAL | Q'TY | REMARKS |

| | |
|-----------------|--|
| Nominal Dia | |
| Fluid. | |
| Press. | |
| Temp. | |
| Drawing History | |

| | | | |
|---------------|-------|------|------|
| CUSTOMER | | | |
| DATE | SCALE | DRAW | APPR |
| Sep.4'18 | none | ToMo | |
| DWG No. | | | |
| MAX-D-04SS-84 | | | 3 |

TITLE

MAX-LOK

MAX-D 雌ネジカプラー

 FULLNESS JAPAN CORPORATION.