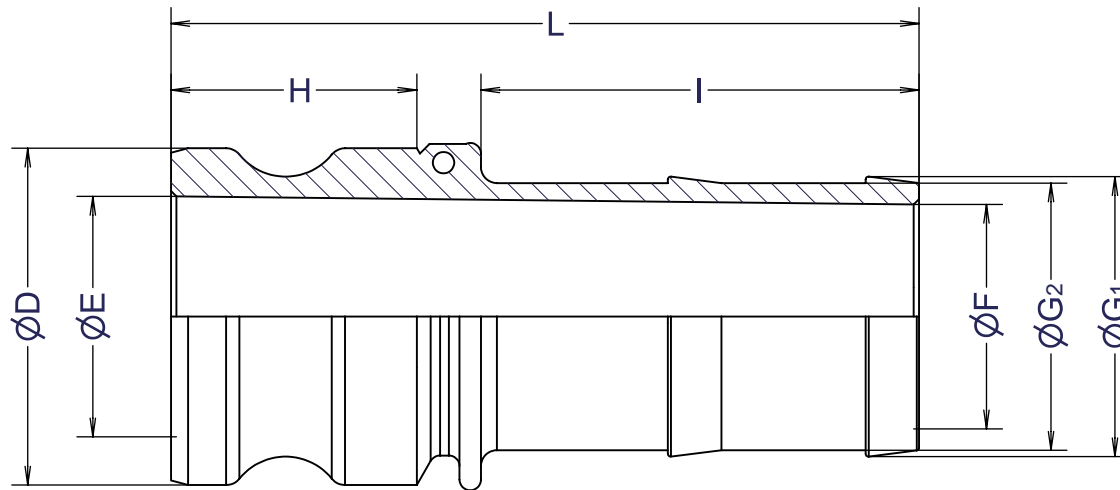
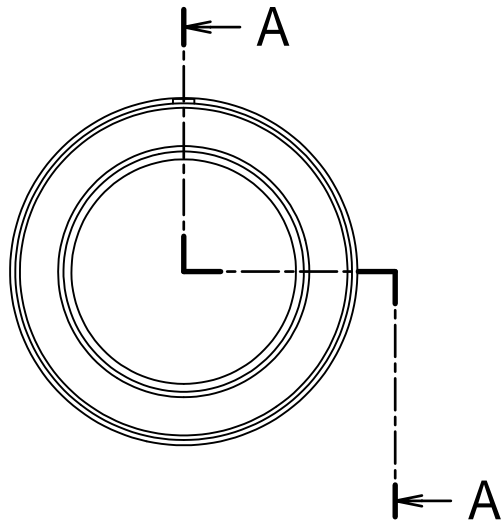



Part No.	75x50-E	75-E	100-E	125-E	150-E	200-E	250-E	300-E	400-E	
Size	mm	20x15	20	25	32	40	50	65	80	100
	inches	3/4x1/2	3/4	1	1 1/4	1 1/2	2	2 1/2	3	4
ØD		32	32	36.7	45.5	53.4	63	75.8	91.5	119.5
ØE		21	21	23.8	29	36	45	55	73	98
ØF		8	13	18.5	24	31	42	54	62	90
ØG ₁		14.8	20.3	27	33.9	39.9	52.4	65.2	77.2	103
ØG ₂		12.5	18.6	25	31.8	37.7	50	63	74.5	100
H		26	27	34	40	40	46	49	50	52.6
I		35	54	62	63	69	82	94	105	110
L		67	91	105	114	120	140	156	170	178
Weight(kg)		0.04	0.06	0.1	0.17	0.22	0.3	0.5	0.72	1.06

Units:mm



Section A-A

1	ボディ	AC4C-T6	1	
ITEM	PART NAME	MATERIAL	Q'TY	REMARKS
CUSTOMER		TITLE		
		MAX-LOK		
		MAX-E ホースシャンクアダプター		
Nominal Dia		DATE	SCALE	DRAW
Fluid.		Jun.26'09	none	ToMo
Press.		DWG No.		
Temp.		MAX-E-01AL-91 3		
Drawing History		 FULLNESS JAPAN CORPORATION.		