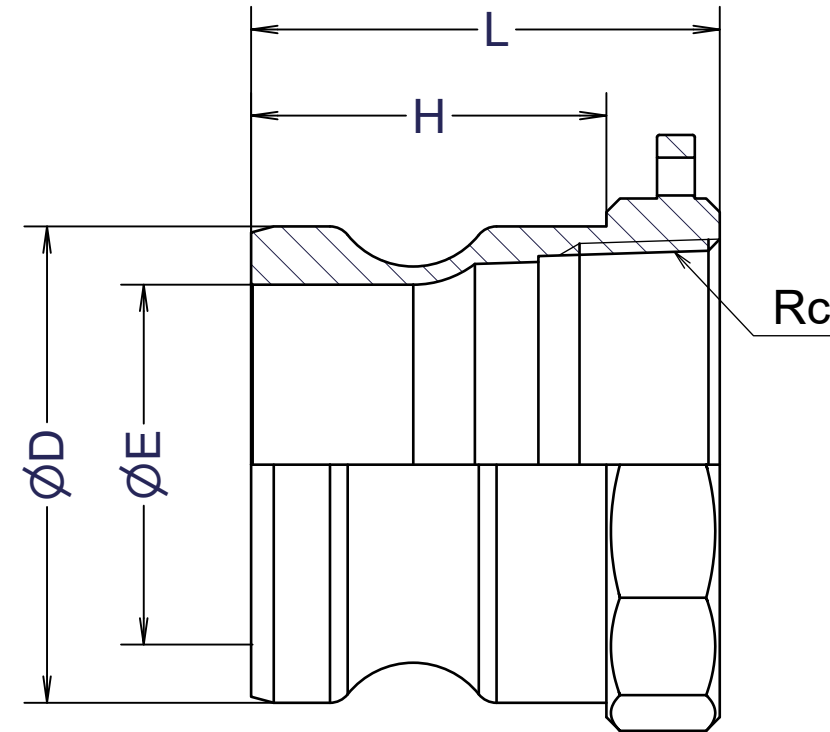
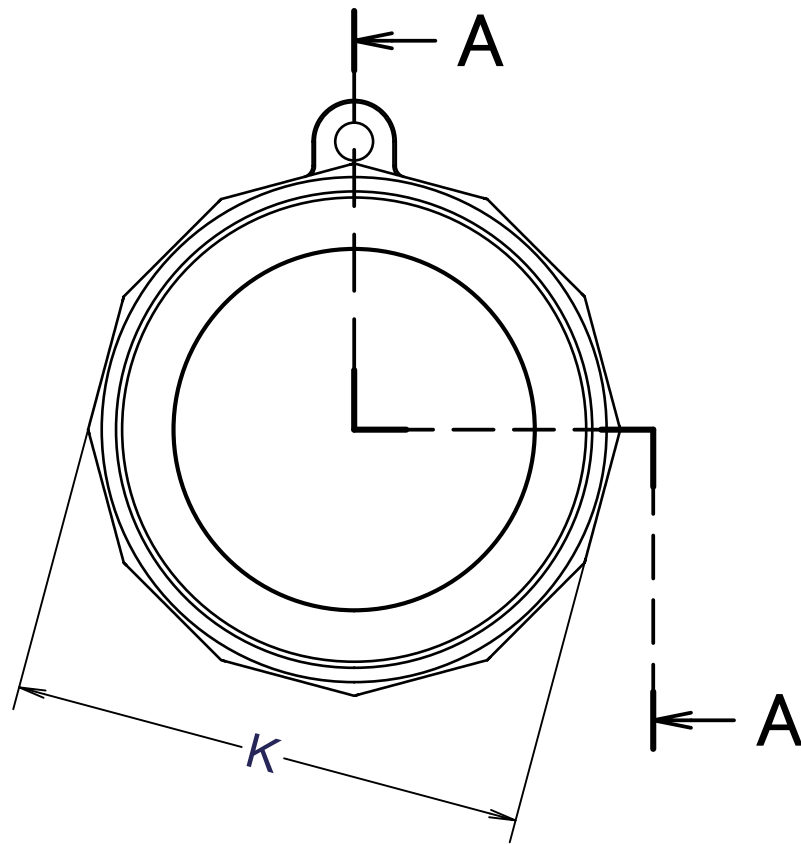


Part No.	A-1/2"	A-3/4"	A-1"	A-1 1/4"	A-1 1/2"	A-2"	A-2 1/2"	A-3"	A-4"	
Size	mm	20x15	20	25	32	40	50	65	80	100
	inches	3/4x1/2	3/4	1	1 1/4	1 1/2	2	2 1/2	3	4
∅D	32	32	36.7	45.4	53.4	63	75.7	91.5	119.5	
∅E	14	20	24	28.7	36.7	47.6	56.4	72.5	99	
K	35	35	41	48	59	68	84	100	129	
H	27	27	34	40	42	47	50	51	52.5	
L	41	41	50	56	57	62	84	70	81	
Weight(kg)	0.19	0.13	0.17	0.26	0.4	0.43	0.92	0.94	1.82	

Dimensions:mm



Section A-A

Nominal Dia	
Fluid.	
Press.	
Temp.	
Drawing History	

1	BODY	SCS14A	1	
ITEM	PART NAME	MATERIAL	Q'TY	REMARKS
CUSTOMER		TITLE SAFLOK Japan		
DATE	SCALE	DRAW	APPR	SAF-A 雌ネジアダプター
Jul.11'08	none	ToMo		
DWG No.		TITLE FULLNESS JAPAN CORPORATION.		
SAF-A-04SS-01		3		

